

GRINDER PUMP ACCESSORIES

APPLICATIONS

Grinder Pumps are ideal for residential and light commercial sewage waste transfer where high head conditions exist.

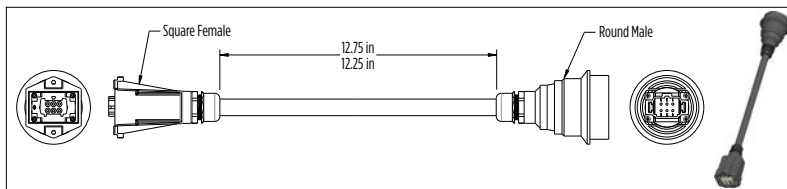
ACCESSORIES

Item No.	Description
120901	Vertical to Horizontal Flange
115153	Retrofit Junction Box w/Black Plug
115154	Retrofit Junction Box w/Grey Plug
115156	Adapter Harness, Square Female to Round Male
115157	Retrofit Junction Box w/Grey Plug and Override
115158	Retrofit Junction Box w/Black Plug and Override
115159	Adapter Harness, Round Female to Square Male
115195	PowerSewer® Anti-Siphon Check Valve
115383	1.25" Vertical Flange Discharge Adapter
513297	IGP-A Junction Box
515837	Horizontal Discharge Adapter Kit
520859	Grinder Cap Kit
599078	Leg Kit
940005	Retrofit Anti-Siphon Check Valve
115930101	1.25" Base Elbow
115930102	1.25" Base Elbow w/Check Valve
115930120	1.25" Check Valve
115930121	2" Check Valve
115930134	RWG Retrofit Kit

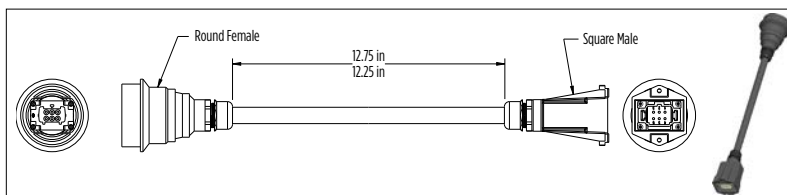


ENGINEERING DATA

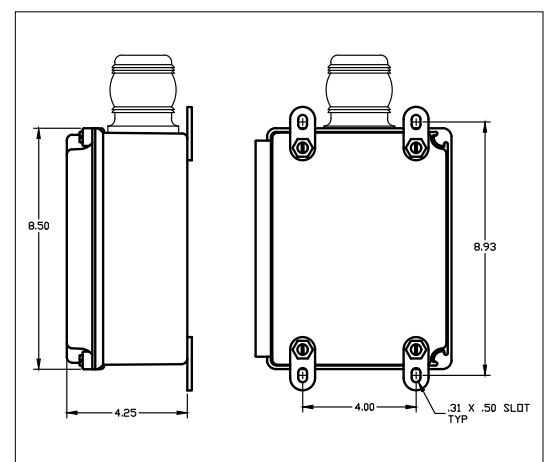
115156 | Adapter Harness, Square Female to Round Male



115159 | Adapter Harness, Round Female to Square Male



513297 | IGP-A Junction Box



GRINDER PUMP ACCESSORIES

ENGINEERING DATA

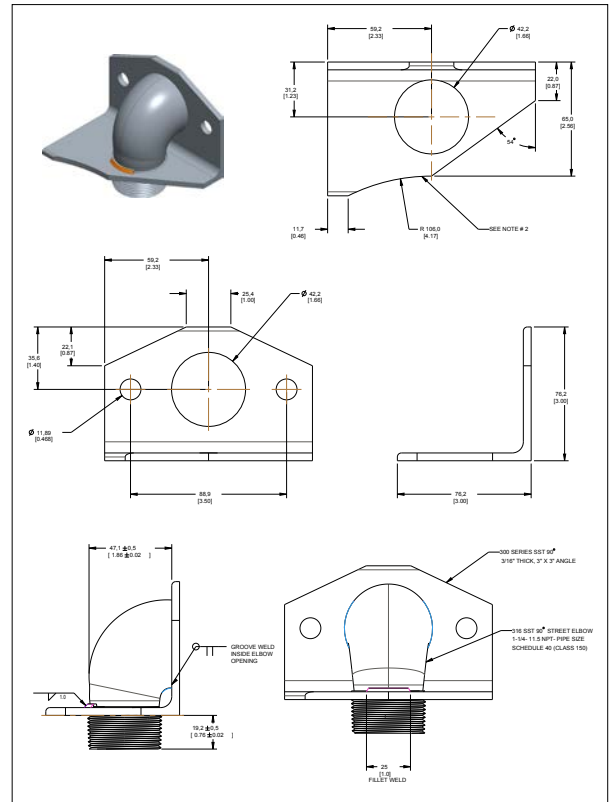
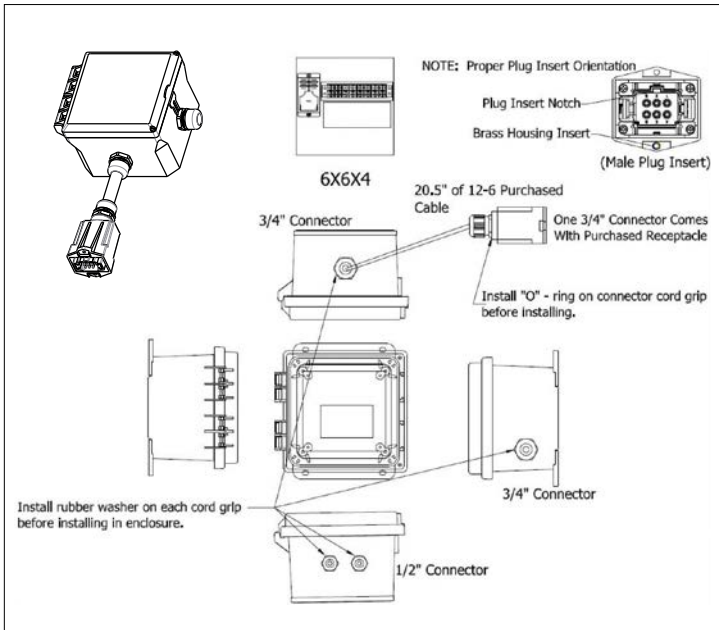
115153 | Retrofit Junction Box w/Black Plug

115154 | Retrofit Junction Box w/Grey Plug

115157 | Retrofit Junction Box w/Grey Plug and Override

115158 | Retrofit Junction Box w/Black Plug and Override

120901 | Vertical to Horizontal Flange



515837 | Horizontal Discharge Adaptor Kit

