

ENGINEERED PRODUCTS: IGP AUTOMATIC SERIES

APPLICATIONS

- Engineered Products IGP-A Series Grinder Pumps are ideal for sewage waste transfer

FEATURES

- Powerful 2 hp, 3450 rpm motor to handle the demands of grinding domestic sewage
- Mechanical float switch for automatic operation on 515863, 515861, and 515873
- Start/Run components encased in oil-free chamber requiring no control panel
- Carbon/Ceramic mechanical seal
- Deflection-resistant, short motor shaft
- Corrosion-resistant brass impeller minimizes downtime and maintenance
- Seven-vane, angled face, non-clogging, balanced impeller
- Tight cutting clearances for superior grinding at 414,000 cuts per minute
- Epoxy-coated finish for corrosion resistance and durability
- Built-in overload protection prevents over-current/over-temperature damage
- GLK-SST Grinder Leg Kit included on 515861

CONSTRUCTION

| | |
|---------------------|--|
| Motor Cover | Cast iron with epoxy coating |
| Motor Cover O-ring | Nitrile |
| Motor Design | Single-phase, capacitor start, capacitor run |
| Insulation Class | F |
| Overload Protection | Internal, on winding thermal protector |
| Motor Shaft | *AISI 300 series stainless steel |
| Ball Bearing-Upper | Single row ball, 6203 |
| Ball Bearing-Lower | Single row ball, 6306 |
| Seal Housing | Cast iron with epoxy coating |
| Mechanical Seal | Carbon/Ceramic |
| Volute | Cast iron with epoxy coating |
| Impeller | Brass |
| Rotating Cutter | 2 blade design, AISI 440C stainless steel, through-hardened to Rockwell 55-60C |
| Stationary Cutter | AISI 440C stainless steel, hardened to Rockwell 55-60C |
| External Hardware | 300 series stainless steel |
| Power Cable | Type SOW/or SOW 14/3 AWG |

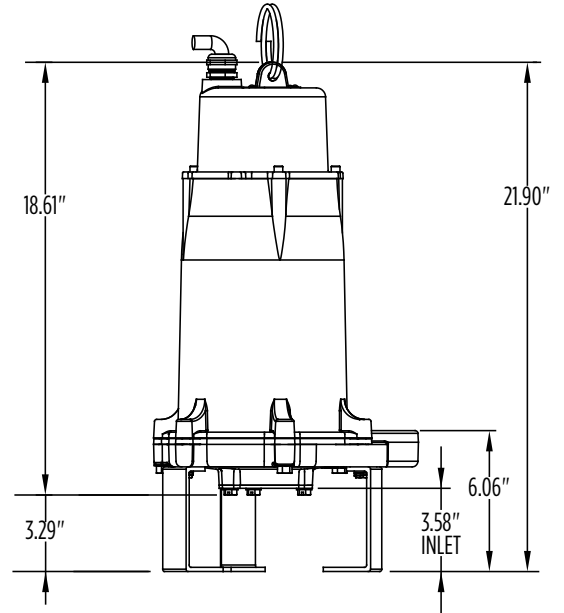
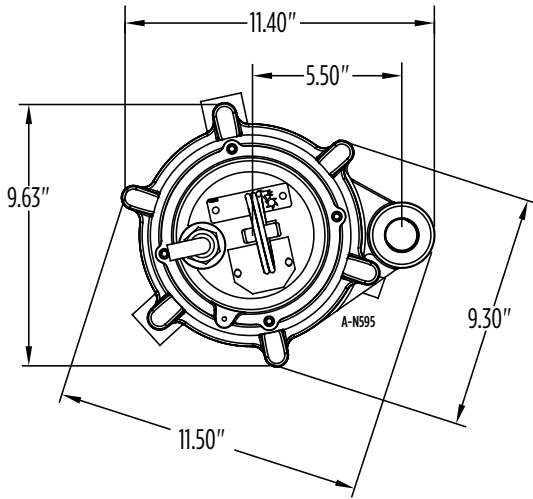
*In contact with fluid pumped



(U.S. Patent No. 7,237,736)

ENGINEERED PRODUCTS: IGP AUTOMATIC SERIES

DIMENSIONS



Leg Kit (included on 515861) GLK – item no. 599078

MODEL INFORMATION

| Item No. | Model | HP | Volts | Hz | Full Load Amps/ Watts | Cord |
|----------|--------------|----|---------|----|--------------------------|------|
| 515861 | IGP-A231-20 | 2 | 208-230 | 60 | 13.9/3200 | 20' |
| 515862 | *IGP-A231-20 | 2 | 208-230 | 60 | 13.9/3200 | 20' |
| 515863 | IGP-A231-20 | 2 | 208-230 | 60 | 13.9/3200 | 20' |
| 515873 | IGP-A231-30 | 2 | 208-230 | 60 | 13.9/3200 | 30' |
| 515874 | *IGP-A231-30 | 2 | 208-230 | 60 | 13.9/3200 | 30' |

| Performance (GPM @ Head) | | | | | | Shut-Off | PSI | Weight (lbs) |
|--------------------------|-----|-----|-----|------|------|----------|-----|-----------------|
| 20' | 40' | 60' | 80' | 100' | 120' | | | |
| 32 | 31 | 30 | 25 | 20 | 10 | 130' | 56 | 104 |

*Float not included

PERFORMANCE

